

# BATHWARE

## 2023 Collection



The name you can always **TRUST..**

**opec**<sup>®</sup>  
CERAMIC



“

The name  
you can  
always

**TRUST...**



# COMPANY PROFILE



Providing the most reliable and valued product and solutions in the ceramic world...



Welcome to **OPEC CERAMIC** Where you can find the sharp vision of marketing, global network and powerful backbone of quality. The company cares the vision to cater world class Ceramic Sanitaryware. It believes in superior quality of Ceramic Sanitaryware with a sharp vision on modern technology with modernized art work.

*"A Sanitaryware is a man-made piece of hard-wearing material such a Stone, Stoneware or even Glass."*

In our endeavour of Innovation & Revolutionize the Indian Ceramic Manufacturing Industry we installed the Latest & Most Advanced Italian Technology to manufacture Ceramic & Vitrified Sanitaryware with Global Standards having European Designs.

**OPEC** is determination to become one of the best Global Ceramic Brand and always strive for outstanding quality and revolutionary design concepts to exceedingly gratify the highest aspirations of Global Consumers having fondness toward International quality, Contemporary Designs and Accentuated Aesthetics

The Allison Vehicle Environmental Test Center (as seen above) is an industry leading facility that allows OEMs, body builders, suppliers and end users to satisfy their medium and heavy duty vehicle testing needs in a single, environment controlled location year round.







# CONTENT

<b>06</b>	One Piece
<b>08</b>	One Piece Basin
<b>10</b>	Pedestal Basin
<b>13</b>	Table Top Basin
<b>15</b>	Wall Hung Basin
<b>18</b>	Floor Mount
<b>19</b>	Wall Hung
<b>20</b>	Water Closet
<b>21</b>	Pan
<b>22</b>	Urinals

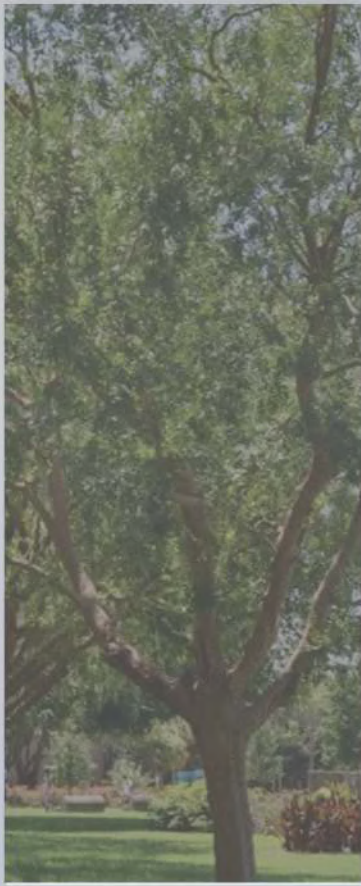
## DESIGNER SERIES

One Piece	<b>24</b>
Floor Mount	<b>25</b>
One Piece Basin	<b>26</b>
Pedestal Set	<b>37</b>
Wall Hung Basin	<b>49</b>
Table Top	<b>51</b>
Pan	<b>54</b>
EWC	<b>58</b>
EWC Tank & Seat Cover	<b>59</b>
Technial Specification	<b>60</b>

**THE** ONLY  
PLACE  
**WHERE**  
SUCCESS  
**COMES BEFORE**  
WORK  
**IS** IN THE  
DICTIONARY

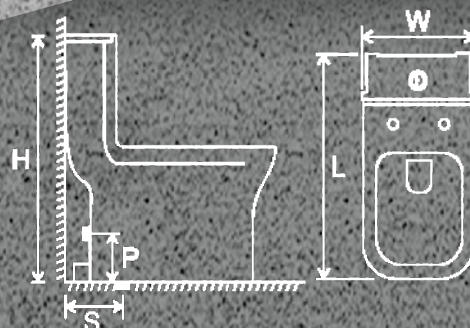








# ONE PIECE



**101 - SENTRO**

702 x 366 x 673mm

S trap 225mm | P trap 180 mm



**102 - COMBO**

657 x 357 x 692mm

S trap 225mm | P trap 180mm



**104 - CRYSTAL**

688 x 355 x 730mm

S trap 100mm & 225mm





**105 - EUROPA**

695 x 355 x 725mm

S trap 225mm | P trap 180mm



**106 - BELINO**

647 x 350 x 725mm

S trap 225mm | P trap 180mm



**107 - TERRA**

638 x 342 x 694mm

S trap 225mm | P trap 180mm



**108 - CRUISE - 5D**

665 x 340 x 760mm

SYPHONIC S trap 225mm & 300mm



**109 - SKODA**

620 x 350 x 720mm

S trap 225mm



**111 - DIAMOND**

675 x 375 x 760mm

S trap 225mm | P trap 180mm



**118 - SKY - 5D**

648 x 360 x 748mm

SYPHONIC S trap 225mm



**119 - SPACE - 6D**

661 x 350 x 638mm

SYPHONIC S trap 225mm





# ONE PIECE BASIN







**201 - SILVER**  
460 x 460 x 804mm



**202 - FIONA**  
415 x 415 x 805mm



**203 - CROWNY**  
400 x 400 x 830mm



**204 - CRETA**  
435 x 435 x 800mm



**205 - CARNIVAL**  
370 x 472 x 810mm



**206 - CAPSULE**  
478 x 362 x 804mm



# PEDESTAL BASIN







**207 - VICTORIA SET**  
613 x 490 x 880mm



**208 - CAPRI SET**  
635 x 500 x 910mm



**209 - POLO SET**  
570 x 400 x 858mm



**210 - MINI POLO SET**  
460 x 338 x 800mm



**211 - SOPHIA SET**  
550 x 450 x 860mm



**212 - STAR GOLD SET**  
590 x 470 x 890mm





**213 - REPOSE SET**  
520 x 420 x 880mm



**214 - SUPREME SET**  
540 x 440 x 850mm



**215 - MINI STERLING SET**  
580 x 445 x 920mm



**216 - BIG STERLING SET**  
660 x 520 x 932mm



**217 - SIMONA SET**  
565 x 430 x 855mm



**218 - ALTIS SET**  
560 x 400 x 869mm



# TABLE TOP BASIN





**301 - TORRUS**  
420 x 348 x 160mm



**302 - DIAMOND**  
578 x 365 x 118mm



**303 - LUMINA**  
446 x 430 x 130mm



**304 - MARS**  
480 x 365 x 120mm



**305 - CLASSIC**  
456 x 344 x 133mm



**306 - VIVO**  
530 x 334 x 134mm



**307 - PEARL**  
558 x 403 x 110mm



**308 - LORDS**  
470 x 375 x 127mm



# WALL HUNG BASIN



**401 - REPOSE**  
572 x 433 x 211mm



**402 - BASIN**  
510 x 418 x 183mm



**403 - EXOTICA**  
490 x 365 x 177mm



**404 - RANI**  
445 x 320 x 200mm



**405 - CROMA**  
460 x 338 x 160mm



**406 - BRIO**  
460 x 314 x 152mm



**407 - CROWNY**  
480 x 355 x 180mm



**408 - FLORA**  
297 x 233 x 177mm



**409 - CORNER**  
425 x 425 x 210mm



**410 - SWING**  
370 x 295 x 158mm



**411 - PRIME**  
458 x 358 x 180mm



**412 - ANTICA**  
468 x 304 x 165mm





**413 - ESA**  
340 x 228 x 150mm



**414 - LIVA**  
433 x 305 x 114mm



**415 - KIA**  
274 x 320 x 130mm



**416 - LIZA**  
400 x 400 x 140mm



**417 - GOLDEN**  
455 x 355 x 185mm



**418 - MOON**  
406 x 336 x 130mm



**419 - SONA**  
585 x 440 x 165mm



**420 - AUDI**  
415 x 230 x 115mm

# FLOOR MOUNT



**501 - APPLE**  
525 x 398 x 350mm



**502 - PLUTO**  
545 x 405 x 350mm



**503 - RAPID**  
500 x 390 x 350mm





**601 - DELITE**  
550 x 370 x 350mm



**602 - SMART**  
555 x 480 x 350mm



**603 - ROYAL**  
510 x 365 x 355mm



**604 - CAMEO**  
505 x 344 x 340mm



**605 - SANYO**  
535 x 350 x 335mm



**606 - ZETA**  
513 x 363 x 340mm



**701 - EWC-S**  
478 x 366 x 410mm



**702 - ANGLO - S**  
420 x 430 x 400mm



**703 - CONCEALED**  
460 x 385 x 420mm



**704 - EWC SQUARE**  
470 x 355 x 400mm



**705 - EWC-P**  
478 x 366 x 410mm



**706 - ANGLO - P**  
520 x 430 x 400mm



**707 - AQUA**  
770 x 400 x 700mm



**708 - ITALIAN**  
770 x 410 x 650mm





**801 - 200P DELUXE**  
527 x 413 x 223mm



**802 - 230P DELUXE**  
583 x 432 x 231mm



**803 - 200P HEAVY**  
520 x 418 x 272mm



**804 - 230P HEAVY**  
610 x 447 x 275mm



**805 - ACUPRESSURE PAN**  
515 x 415 x 270mm



**806 - MD PAN**  
520 x 400 x 210mm



**807 - CT PAN**  
510 x 405 x 160mm



**808 - TURKISH PAN**  
525 x 485 x 180mm



**809 - EASTERN PAN**  
520 x 425 x 130mm



**LADIES URINAL**  
440 x 350 x 100mm



**GENTS URINAL**  
410 x 330 x 255mm



**HALF STALL URINAL**  
600 x 395 x 105mm



**MINI URINAL**  
410 x 250 x 190mm



**MINI HALF STALL URINAL**  
400 x 300 x 260mm



**P TRAP**



**BIG P TRAP**



**S TRAP**





DESIGNER

**COLLECTION**



**101 (A) - COBALT BLUE**

702 x 366 x 673mm

S trap 225mm | P trap 180 mm



**101 (B) - MAGENTA**

702 x 366 x 673mm

S trap 225mm | P trap 180 mm



**101 (C) - COFFEE**

702 x 366 x 673mm

S trap 225mm | P trap 180 mm



**101 (D) - RUSTIC BLACK**

702 x 366 x 673mm

S trap 225mm | P trap 180 mm





**501 A - SANITO**  
525 x 398 x 350mm



**501 B - WOODEN**  
525 x 398 x 350mm



**501 C - BLACK MARBLE**  
525 x 398 x 350mm



**501 D - WHITE MARBLE**  
525 x 398 x 350mm



**501 E - STICKER MARBLE**  
525 x 398 x 350mm



**501 F - COFFEE MARBLE**  
525 x 398 x 350mm

*Crowny*



**4001**  
**CROWNY ONE PIECE BASIN**  
400 x 400 x 830mm



**4002**  
**CROWNY ONE PIECE BASIN**  
400 x 400 x 830mm



**4003**  
**CROWNY ONE PIECE BASIN**  
400 x 400 x 830mm



*Crowny*



**4004**  
**CROWNY ONE PIECE BASIN**  
400 x 400 x 830mm



**4005**  
**CROWNY ONE PIECE BASIN**  
400 x 400 x 830mm



**4006**  
**CROWNY ONE PIECE BASIN**  
400 x 400 x 830mm



**4007**  
**CROWNY ONE PIECE BASIN**  
400 x 400 x 830mm



**4008**  
**CROWNY ONE PIECE BASIN**  
400 x 400 x 830mm



**4009**  
**CROWNY ONE PIECE BASIN**  
400 x 400 x 830mm

*Creta*



**5001 - CRETA**  
435 x 435 x 800mm



**5002 - CRETA**  
435 x 435 x 800mm



**5003 - CRETA**  
435 x 435 x 800mm



**5004 - CRETA**  
435 x 435 x 800mm



**5005 - CRETA**  
435 x 435 x 800mm



**5006 - CRETA**  
435 x 435 x 800mm



*Capsule*



**6001 - CAPSULE**  
478 x 362 x 804mm



**6002 - CAPSULE**  
478 x 362 x 804mm



**6003 - CAPSULE**  
478 x 362 x 804mm



**6004 - CAPSULE**  
478 x 362 x 804mm



**6005 - CAPSULE**  
478 x 362 x 804mm



**6006 - CAPSULE**  
478 x 362 x 804mm

*Fiona*



**7001 - FIONA**  
415 x 415 x 805mm



**7002 - FIONA**  
415 x 415 x 805mm



**7003 - FIONA**  
415 x 415 x 805mm



**7004 - FIONA**  
415 x 415 x 805mm



**7005 - FIONA**  
415 x 415 x 805mm



**7006 - FIONA**  
415 x 415 x 805mm



*Fiona*



**7007 - FIONA**  
415 x 415 x 805mm



**7008 - FIONA**  
415 x 415 x 805mm



**7009 - FIONA**  
415 x 415 x 805mm



**7010 - FIONA**  
415 x 415 x 805mm



**7011 - FIONA**  
415 x 415 x 805mm



**7012 - FIONA**  
415 x 415 x 805mm

*Glassia*



**8001 - GLASSIA**  
402 x 402 x 794mm



**8002 - GLASSIA**  
402 x 402 x 794mm



**8003 - GLASSIA**  
402 x 402 x 794mm



**8004 - GLASSIA**  
402 x 402 x 794mm



*Glassia*



**8005 - GLASSIA**  
402 x 402 x 794mm



**8006 - GLASSIA**  
402 x 402 x 794mm



**8007 - GLASSIA**  
402 x 402 x 794mm



**8008 - GLASSIA**  
402 x 402 x 794mm



**8009 - GLASSIA**  
402 x 402 x 794mm



**8010 - GLASSIA**  
402 x 402 x 794mm

*Carnival*



**9001 - CARNIVAL**  
370 x 472 x 810mm



**9002 - CARNIVAL**  
370 x 472 x 810mm



**9003 - CARNIVAL**  
370 x 472 x 810mm



**9004 - CARNIVAL**  
370 x 472 x 810mm



**9005 - CARNIVAL**  
370 x 472 x 810mm



**9006 - CARNIVAL**  
370 x 472 x 810mm



*Silver*



**10001 - SILVER**  
460 x 460 x 804mm



**10002 - SILVER**  
460 x 460 x 804mm



**10003 - SILVER**  
460 x 460 x 804mm



**10004 - SILVER**  
460 x 460 x 804mm



**10005 - SILVER**  
460 x 460 x 804mm

*Fiona Plus*



**11001 - FIONA PLUS**  
455 x 455 x 794mm



**11002 - FIONA PLUS**  
455 x 455 x 794mm



**11003 - FIONA PLUS**  
455 x 455 x 794mm



# Big Sterling



**1101 - ALPINE BLUE**  
660 x 520 x 932mm



**1102 - RED**  
660 x 520 x 932mm



**1103 - ORANGE**  
660 x 520 x 932mm



**1104 - MINT GREEN**  
660 x 520 x 932mm



**1105 - BLUE**  
660 x 520 x 932mm

*Polo*



**1201 - MINT GREEN**  
570 x 400 x 858mm



**1202 - ALPINE BLUE**  
570 x 400 x 858mm



**1203 - MAGENTA**  
570 x 400 x 858mm



**1204 - BURGUNDY**  
570 x 400 x 858mm



**1205 - AQUA GREEN**  
570 x 400 x 858mm



**1206 - RED**  
570 x 400 x 858mm



*Polo*



**1207 - BLACK**  
570 x 400 x 858mm



**1208 - COFFEE**  
570 x 400 x 858mm



**1209 - ORANGE**  
570 x 400 x 858mm



**1210 - BLUE**  
570 x 400 x 858mm



**1211 - NEO GREEN**  
570 x 400 x 858mm



**1212 - COBALT BLUE**  
570 x 400 x 858mm

# Star Gold



**1301 - MAGENTA**  
590 x 470 x 890mm



**1302 - BLUE**  
590 x 470 x 890mm



**1303 - BURGUNDY**  
590 x 470 x 890mm



**1304 - AQUA GREEN**  
590 x 470 x 890mm



**1305 - WOODEN**  
590 x 470 x 890mm



**1306 - ALPINE BLUE**  
590 x 470 x 890mm

*Star Gold*



**1307 - CROSS BLACK**  
590 x 470 x 890mm



**1308 - RED BROWN**  
590 x 470 x 890mm



**1309 - MINT GREEN**  
590 x 470 x 890mm



**1310 - ORANGE**  
590 x 470 x 890mm



**1311 - RED**  
590 x 470 x 890mm



**1312 - COFFEE**  
590 x 470 x 890mm



*Star Gold*



**1313 - COBALT BLUE**  
590 x 470 x 890mm



**1314 - NEO PINK**  
590 x 470 x 890mm



**1315 - RED FLOWER**  
590 x 470 x 890mm



**1316 - BLACK**  
590 x 470 x 890mm



**1317 - OASIS GREEN**  
590 x 470 x 890mm



**1318 - NEO GREEN**  
590 x 470 x 890mm

# Mini Polo



**1401 - ALPINE BLUE**  
460 x 338 x 800mm



**1402 - MAGENTA**  
460 x 338 x 800mm



**1403 - AQUA GREEN**  
460 x 338 x 800mm



**1404 - BURGUNDY**  
460 x 338 x 800mm



**1405 - RED**  
460 x 338 x 800mm



**1406 - ORANGE**  
460 x 338 x 800mm

*Mini Polo*



**1407 - COFFEE**  
460 x 338 x 800mm



**1408 - WALKER YELLOW**  
460 x 338 x 800mm



**1409 - BLACK**  
460 x 338 x 800mm



**1410 - BLUE**  
460 x 338 x 800mm



**1411 - MINT GREEN**  
460 x 338 x 800mm



*Victoria*



**1501 - COFFEE MARBLE**  
613 x 490 x 880mm



**1502 - AQUA GREEN**  
613 x 490 x 880mm



**1503 - BLACK MARBLE**  
613 x 490 x 880mm

*Repose*



**1601 - ALPINE BLUE**  
635 x 500 x 910mm



**1602 - AQUA GREEN**  
635 x 500 x 910mm



**1603 - WOODEN**  
635 x 500 x 910mm



**1604 - BLUE**  
635 x 500 x 910mm



**1605 - MAGENTA**  
635 x 500 x 910mm



**1606 - BURGUNDY**  
635 x 500 x 910mm

*Rustic*



**2101**  
**SUPRIME MAGENTA**  
635 x 500 x 910mm



**2102**  
**SUPRIME RED**  
540 x 440 x 850mm



**2103**  
**SUPRIME ALPINE BLUE**  
540 x 440 x 850mm



**2201**  
**MINI STERLING MAGENTA**  
580 x 445 x 920mm



**2202**  
**MINI STERLING RED**  
580 x 445 x 920mm



**2203**  
**MINI STERLING COFFEE**  
580 x 445 x 920mm



*Rustic*



**2301**  
**STAR GOLD ALPINE BLUE**  
590 x 470 x 890mm



**2302**  
**STAR GOLD BLACK**  
590 x 470 x 890mm



**2303**  
**STAR GOLD RED BROWN**  
590 x 470 x 890mm



**2304**  
**STAR GOLD MAGENTA**  
590 x 470 x 890mm

*Rustic*



**3201 - BLACK RUSTIC**  
468 x 304 x 165mm



**3202 - RED BROWN RUSTIC**  
468 x 304 x 165mm



**3203 - MAGENTA RUSTIC**  
468 x 304 x 165mm



**3204 - COFFEE RUSTIC**  
468 x 304 x 165mm

*Rani*



**3401 - RED**  
445 x 320 x 200mm



**3402 - ALPINE BLUE**  
445 x 320 x 200mm



**3403 - MAGENTA**  
445 x 320 x 200mm

*Antica*



**3301 - ALPINE BLUE**  
468 x 304 x 165mm



**3302 - COBALT BLUE**  
468 x 304 x 165mm



**3303 - BLACK**  
468 x 304 x 165mm



**3304 - MINT GREEN**  
468 x 304 x 165mm



**3305 - MAGENTA**  
468 x 304 x 165mm



**3306 - ORANGE**  
468 x 304 x 165mm



**3307 - BLUE**  
468 x 304 x 165mm



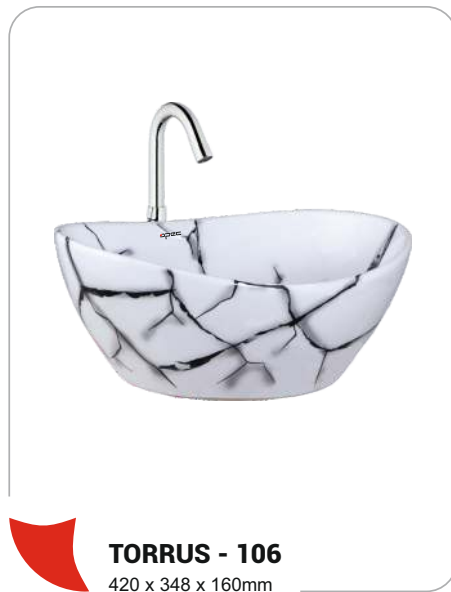
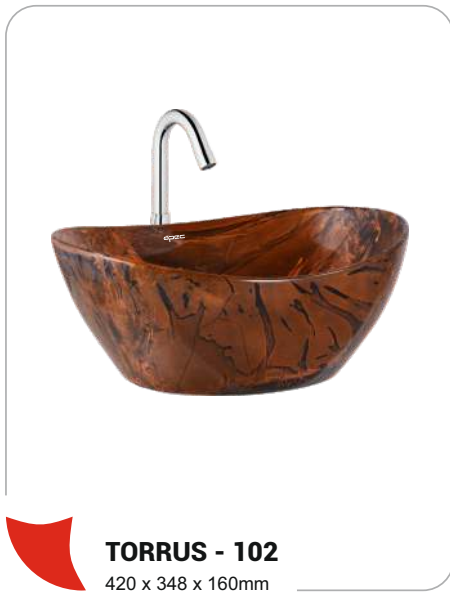
**3308 - WALKER YELLOW**  
468 x 304 x 165mm



**3309 - BURGUNDY**  
468 x 304 x 165mm



Torus



*Classic*



**CLASSIC -201**  
456 x 344 x 133mm



**CLASSIC -202**  
456 x 344 x 133mm



**CLASSIC -203**  
456 x 344 x 133mm



**CLASSIC -204**  
456 x 344 x 133mm



**CLASSIC -205**  
456 x 344 x 133mm



**CLASSIC -206**  
456 x 344 x 133mm



**CLASSIC -207**  
456 x 344 x 133mm



**CLASSIC -208**  
456 x 344 x 133mm



**CLASSIC -209**  
456 x 344 x 133mm

*Classic*



**CLASSIC -210**  
456 x 344 x 133mm



**CLASSIC -211**  
456 x 344 x 133mm



**CLASSIC -212**  
456 x 344 x 133mm



**CLASSIC -213**  
456 x 344 x 133mm



**CLASSIC -214**  
456 x 344 x 133mm

*Lords*



**LORDS-401**  
470 x 375 x 127mm



**LORDS-402**  
470 x 375 x 127mm



**LORDS-403**  
470 x 375 x 127mm







**PAN ACUPRESSURE FOOTBALL**





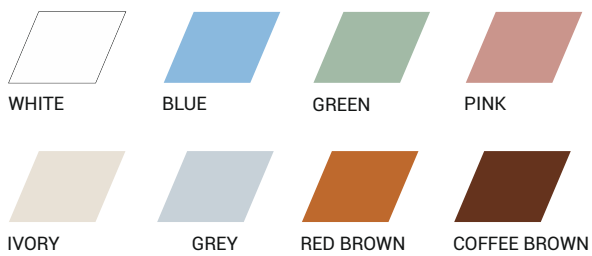






**COLOUR RANGE**

**REGULAR**



**SPECIAL**



**EXCLUSIVE**



**RUSTIC**





**3501**  
**SIDE HANDLE**



**3502**  
**GOLD TOP PUSH**



**3503**  
**PLATINUM DUAL FLUSH**



**3504**  
**ANTIQUE FRONT PUSH**



**3505**  
**SILVER DUAL FLUSH**



**3506**  
**EWC SEAT COVER**



**3507**  
**ANGLO SEAT COVER**

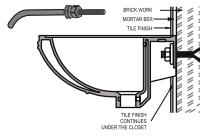


**3508**  
**SOFT CLOSE SEAT COVER**



## WALL HUNG BASIN

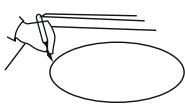
- 1) The rag bolt should be first grouted into the wall using cement/concrete, (as shown) as per distance between slots provided in the wash basin. The bolts should be fixed perpendicular to the wall. Allow cement/concrete to set. Check if the Rag Bolts are firmly fixed. Fix the Wash Basin in the bolt using Nut & Washer.
- 2) If brackets are use, prefer Nylon or Aluminium instead of iron brackets as it tends to rust.
- 3) If small basins are screwed to wall, use Nylon washers and steel screws.
- 4) While fixing waste outlet, ensure that the rubber washer is placed on the outlet under the basin.



## COUNTER WASH BASIN

### At the beginning

1. A skilled or experienced person should install counter lavatories.
2. Avoid using adhesive with this product.
3. Check the waste area and supply tubing if required.
4. Do not open the lavatory from its protective carton until you are ready for installation.
5. Please follow all local building and plumbing codes.



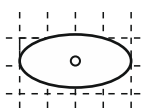
### MATERIAL & TOOLS

Measure tape, keyhole or sober sow, Hammer, Glasses, Rage or Paper towelling, Drill (1/2 dia, drill bit or larger), Pencil, sealant, sharp knife or scissors.

## INSTALLATION OF LAVATORY

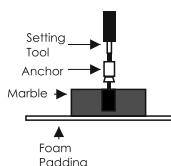
**Please Note :** Please install it in a way that future removal from underneath the counter top is possible without damaging the counter top.

1. Please check the desired location for clearance between the back splash, faucet, fixture and cabinet.
2. Please cut the template.
3. Please carefully trace the template on the counter top as directed.
4. Please mark the faucet hole centerline on the counter top.
5. Please drill a 1/2" pilot on the inside of the cut line.



### For Wood Counter tops:

1. Mark and per-drill the wood screw holes at the locations shown on the template.
2. Waterproof any exposed areas of wood.



### For Marble Counter tops:

1. Position the counter top upside down on foam padding to protect the surface. Mark and drill 3/6" holes 5/8" deep at the locations shown on the template.
2. Use a setting tools and hammer to secure the anchors.

### For All Installations :

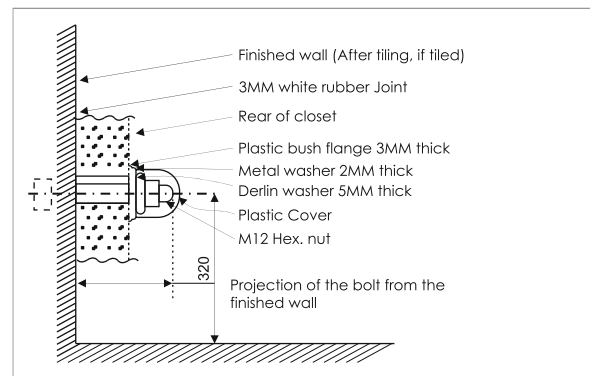
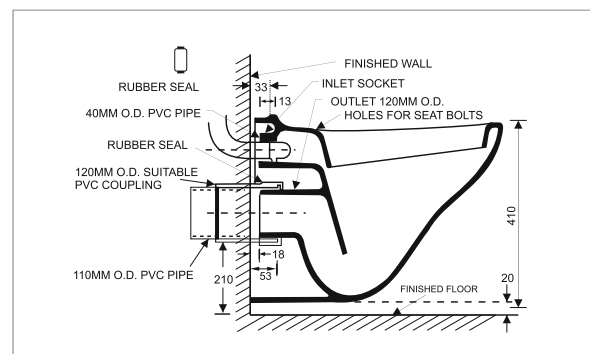
1. If the counter top has not been installed, install it at this time.
2. Drill the faucet holes according to the faucet installation instructions.
3. Install the faucet to the counter top according to the manufacturer's instructions.
4. Install the drain to the lavatory according to the manufacturer's instructions.



## INSTALLATION DETAILS OF WALL HUNG

### CONCEALED WALL HUNG

1. If the wall is going to be plastered for a thickness of 12 mm and a tile thickness of 6-7 mm, the projection of the bolts from the finished wall should be 66 mm only.
2. If the thickness of Plastering and tile is less than the dimensions mentioned above, the bolts that are supplied along with the bracket should be moved into the wall by using a suitable spacer washer between the bolt head and the bracket frame.
3. The bracket should be buried into the floor so that the height from the center line of the bolt to the surface of the finished floor is 320 mm.



## MAINTENANCE

Like any other part of your houses, the bathroom can be made to look great and made to last long if it is taken care of regularly. To make your bathroom beautiful here are some valuable tips.

### Wash Basin

A mild detergent can be used to wash the basin at least once a day. After washing, the basin should be wiped out clearly to avoid water stains.

### Closets

Cleanser like harpic can be used to clear the closet with soft plastic brush, at least once a day. To avoid minute discoloring, after flushing the toilet give it a once over with the soft brush.

Keep the toilet brush handy in a convenient stand nearby. In case toilet and basins, if there has been no maintenance since long period of time, water deposit and discoloration can form on the surface of areas that get wet. In such causes, these stains/marks can be removed with the help of a solution of dilute hydrochloric acid. Clean with a soft cotton cloth and warm water with soap. Do not use thinner, dry cleaning liquids or powder paste. Use a liquid cleaner at least twice a week. Use Brasso or car rubbing compound and then polish with a cloth to remove fine scratches.

ITEM	PROBLEM	PROBABLE REASONS	CORRECTIVE ACTIONS
<b>ONE PIECE CLOSET</b>	1. Water not coming in bowl area while flushing	Mechanism inside tank may not be working properly	Change the center pump of mechanism
		There is no water in flush tank	Increase the ball cock height to the max level
	2. Water is continuously leaking closet inside the bowl	Mechanism inside tank may not be working properly	Change the center pump of mechanism
	3. water quantity insufficient for effective flushing	Ball cock height adjusted at lower level	Increase the ball cock height to the max level
	4. Uneven flow of water from both side of closet	Closet is not levelled properly	Closet should be in proper level
<b>WALLHUNG WATER CLOSET</b>	1. Water not coming in bowl area while flushing	Flush valve may not be working properly/ concealed cistern is not working properly	Should change flush valve I concealed cistern
		Flush pipe is inserted up the end of inlet hole	Insert the flush pipe up to the end of inlet
	2. Water is continuously leaking inside the bowl	Closet is not levelled properly	Closet should be in proper level
	3. Water quantity insufficient for effective flushing	Connection between closet outlet and drainage pipe is not proper	Proper connection should be made by experienced plumber
<b>WASH BASINS / TABLE TOP</b>	1. Overflow choked and foul bad odour	Waste coupling used may be full threaded	Waste coupling should be replaced by slot cut coupling
	2. Water deposit on tap platform area and inside bowl area	Basin is not fixed in level of bracket is not in level	Should be done by proper levelling
	3. There is no tap hole in basin	Tap hole can be semi punched from of inlet hole	Tap hole should be created by plumber from semipunched area
<b>EWC / PAN / ANGLO INDIAN</b>	1. Water not coming in bowl area while flushing	Flush bend is not inserted up to the end of inlet hole	Insert the flush pipe up to the end of inlet (for pan closet: check whether flush pipe is not covering flush hole which is in both side of inlet wall)
		Closet / Pan may not be levelled	Should be done by proper levelling



DIRT FREE



ECO FRIENDLY



WATER SAVING



GERM FREE



[www.opecceramic.com](http://www.opecceramic.com)

## Our Presence in Worldwide



## Our Group of Companies

